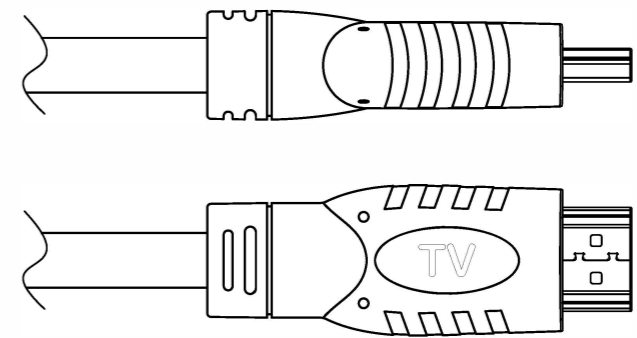
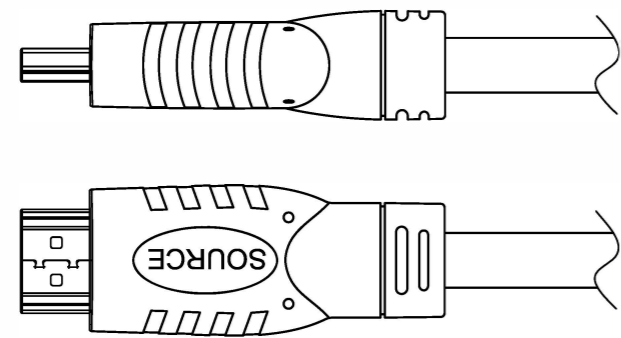
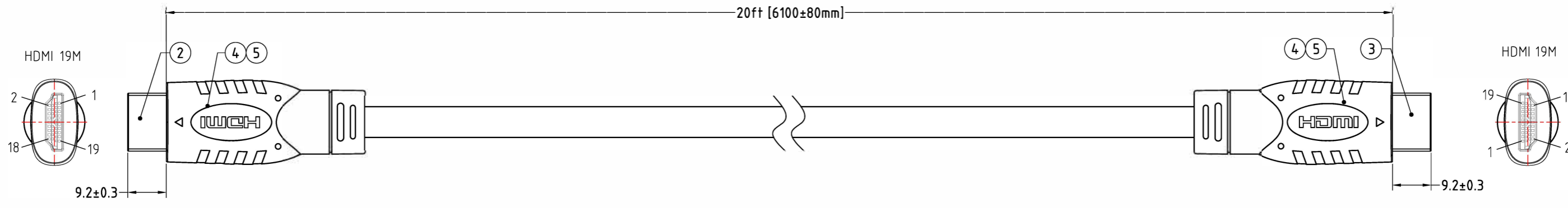


NOTE: ALL MATERIAL COMPLIANT ROHS STANDARD

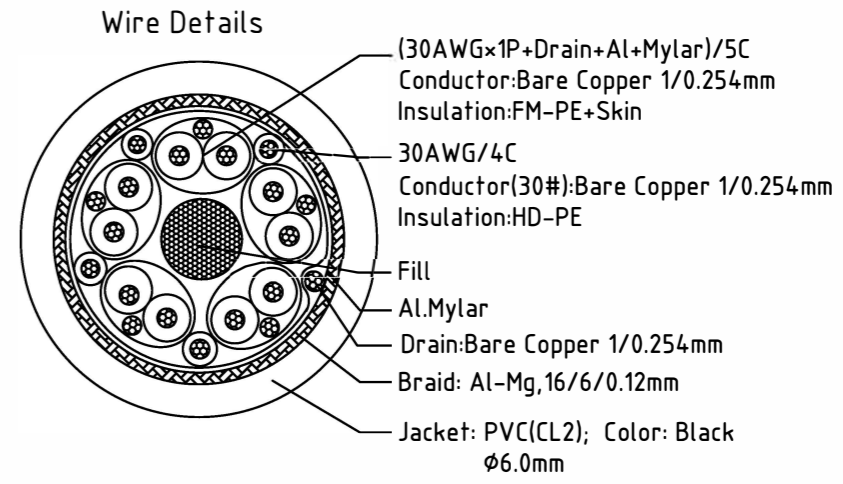
REVISION INFORMATION			
Rev.	Rev. Date	Modified By	Brief Description



Electrical character:
 1) 100% 1080P、4K@60Hz、3D testing

PIN ASSIGNMENT(1.4v)

HDMI 19M	Color	PCBA, S7/HT8181	HDMI 19M
3	Red		3 TMS data2-
1	White		1 TMS data2+
2	Drain		2 TMS data2 Shield
6	Green		6 TMS data1-
4	White		4 TMS data1+
5	Drain		5 TMS data1 Shield
9	Blue		9 TMS data0-
7	White		7 TMS data0+
8	Drain		8 TMS data0 Shield
12	Brown		12 TMS Clock-
10	White		10 TMS Clock+
11	Drain		11 TMS Clock Shield
19	Black		19 HPD/ HEAC-
14	White		14 Utility/ HEAC+
17	Drain		17 DDC/CEC/HEAC GND
13	White		13 CEC
15	Yellow		15 SCL
16	Orange		16 SDA
18	Red		18 +5V Power
SHELL	Braid+Drain		SHELL



NO.	PART NAME	SPECIFICATION DESCRIPTION	QTY	UNIT
①	Cable	UL20276 (30#BC/1P+ADM)/5C+30#4C+F+A+D+B(16/6/0.12,Al-Mg)+PVC,Black,OD6.0mm		
②	HDMI_Conn	HDMI A/M,PIN G/F,Black Insulation,Steel-Shell(G/F Plated),Solder type		
③	HDMI Conn+PCBA	HDMI A/M(G/F Plated)+PCBA(S7/HT8181)		
④	Innermold	PE,Low density		
⑤	Overmold	PVC,45Pa,Black		

Unless specified on the drawing, tolerances are per the follows:

	+1
.x	+0.2
.xx	+0.05

LANshack

Sales@LANshack.com | 888-568-1230

DRAWN BY	DATE: 2019/06/05	DESCRIPTION: HDMI A/M TO HDMI A/M Cable
CHECKED BY	SHEET 1of2	ITEM NO. LS-HD-CL2-S7-XX
APPROVED BY	SCALE None	REV. 0.0 UNIT:mm